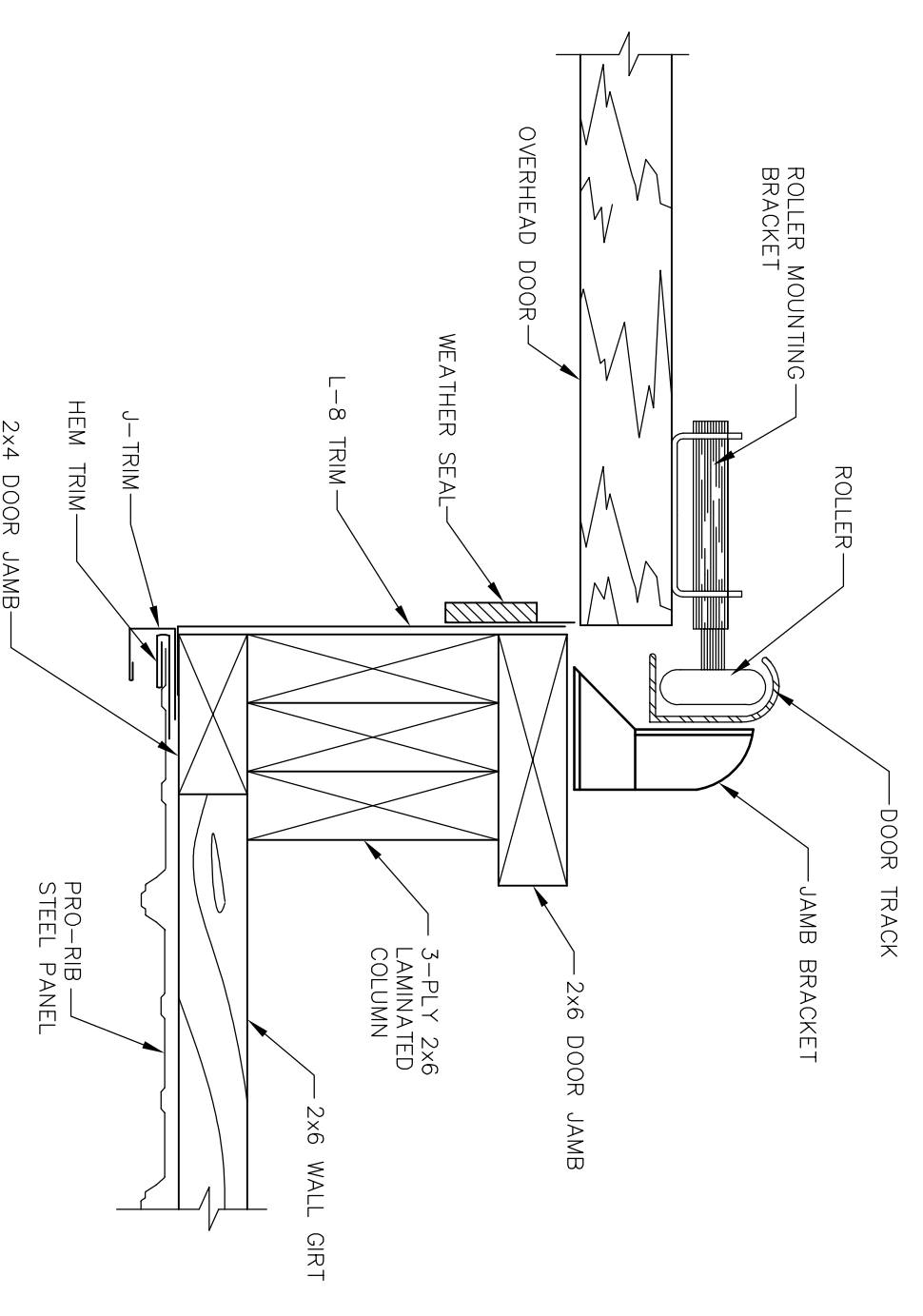
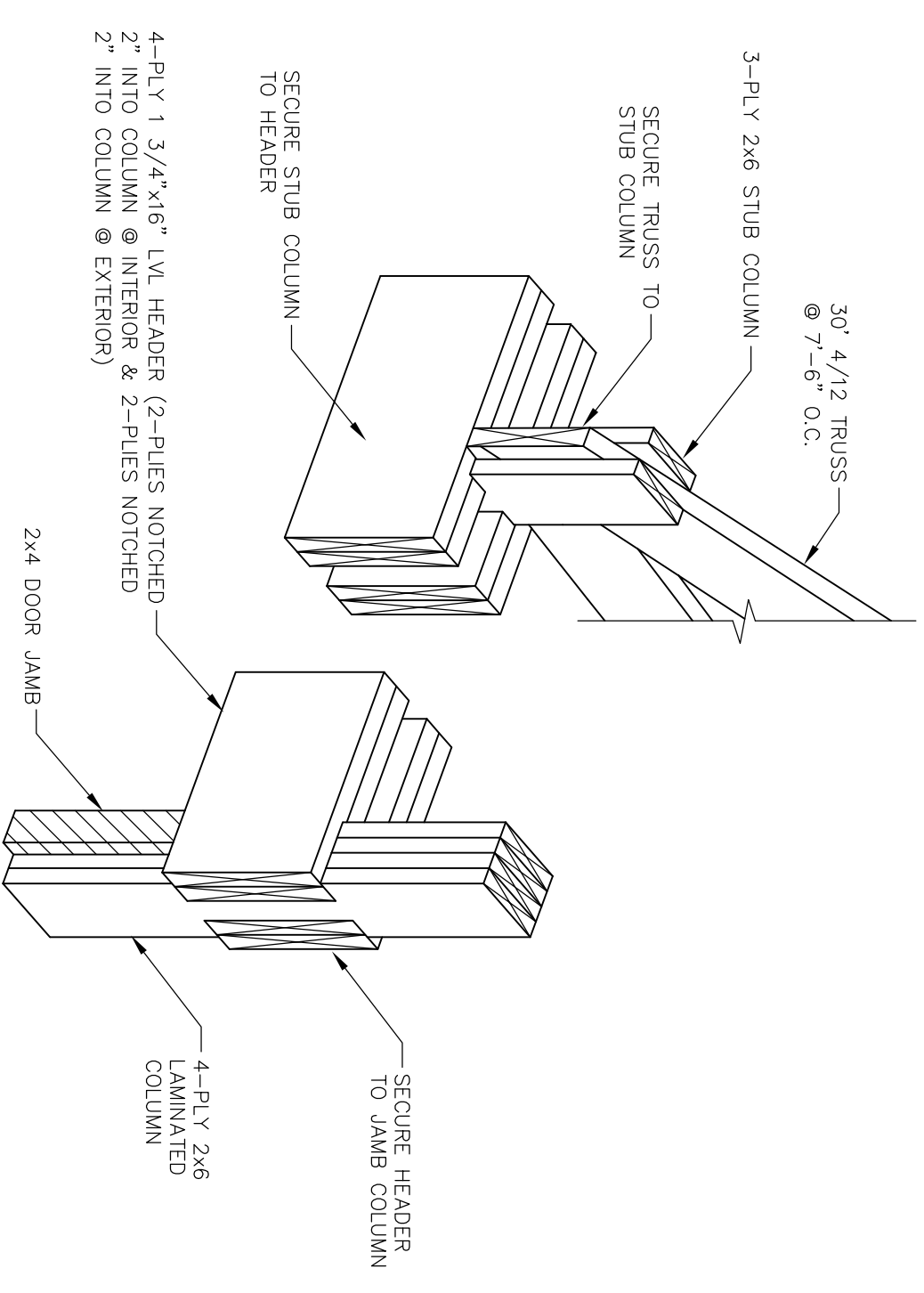


NOTE: OWNER/CONTRACTOR MUST VERIFY OVERHEAD DOOR HEADROOM REQUIREMENTS WITH DOOR MANUFACTURER PRIOR TO STARTING CONSTRUCTION.

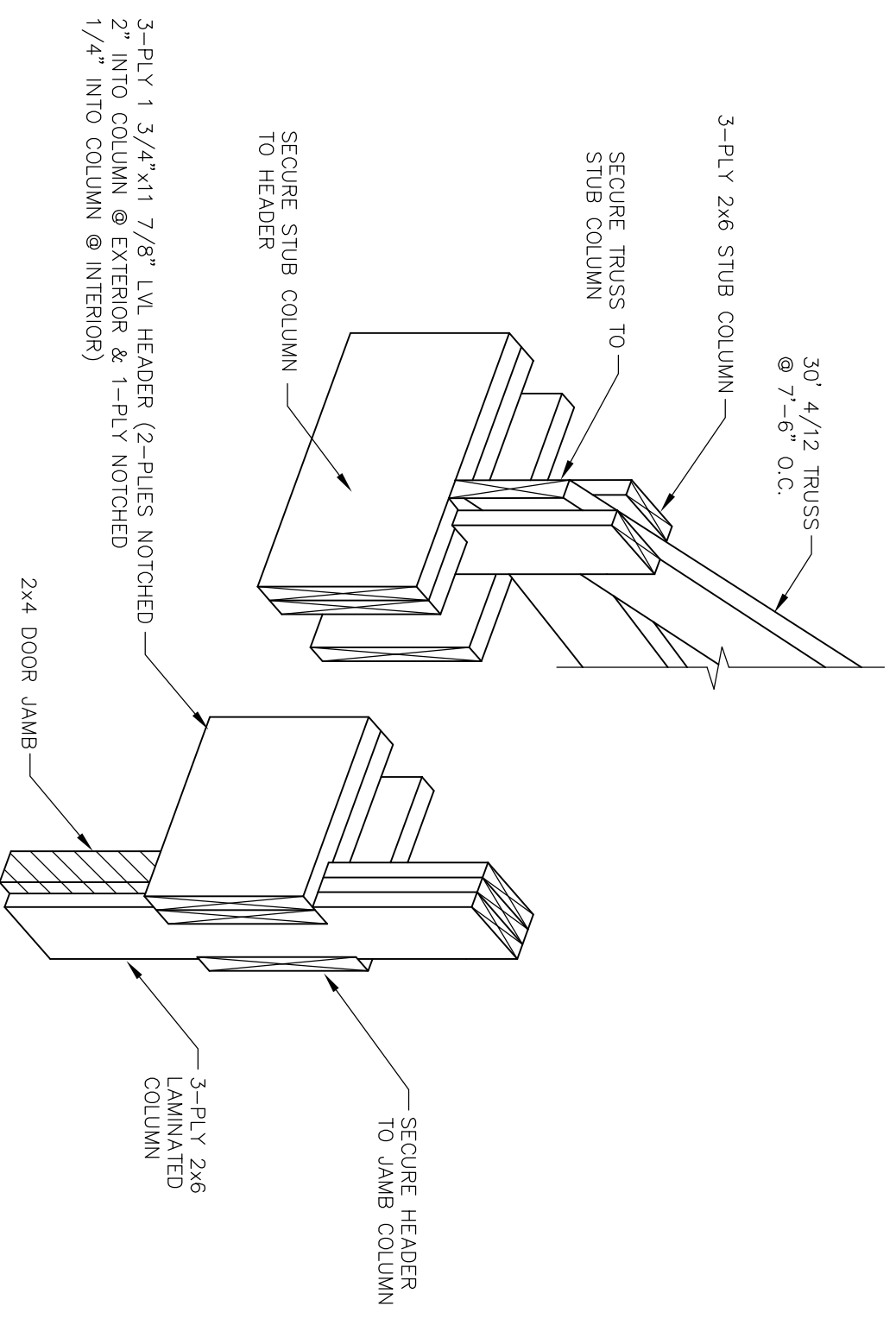
FRAME OUT DETAIL OVERHEAD DOOR
SCALE: 1/2"=1'-0"



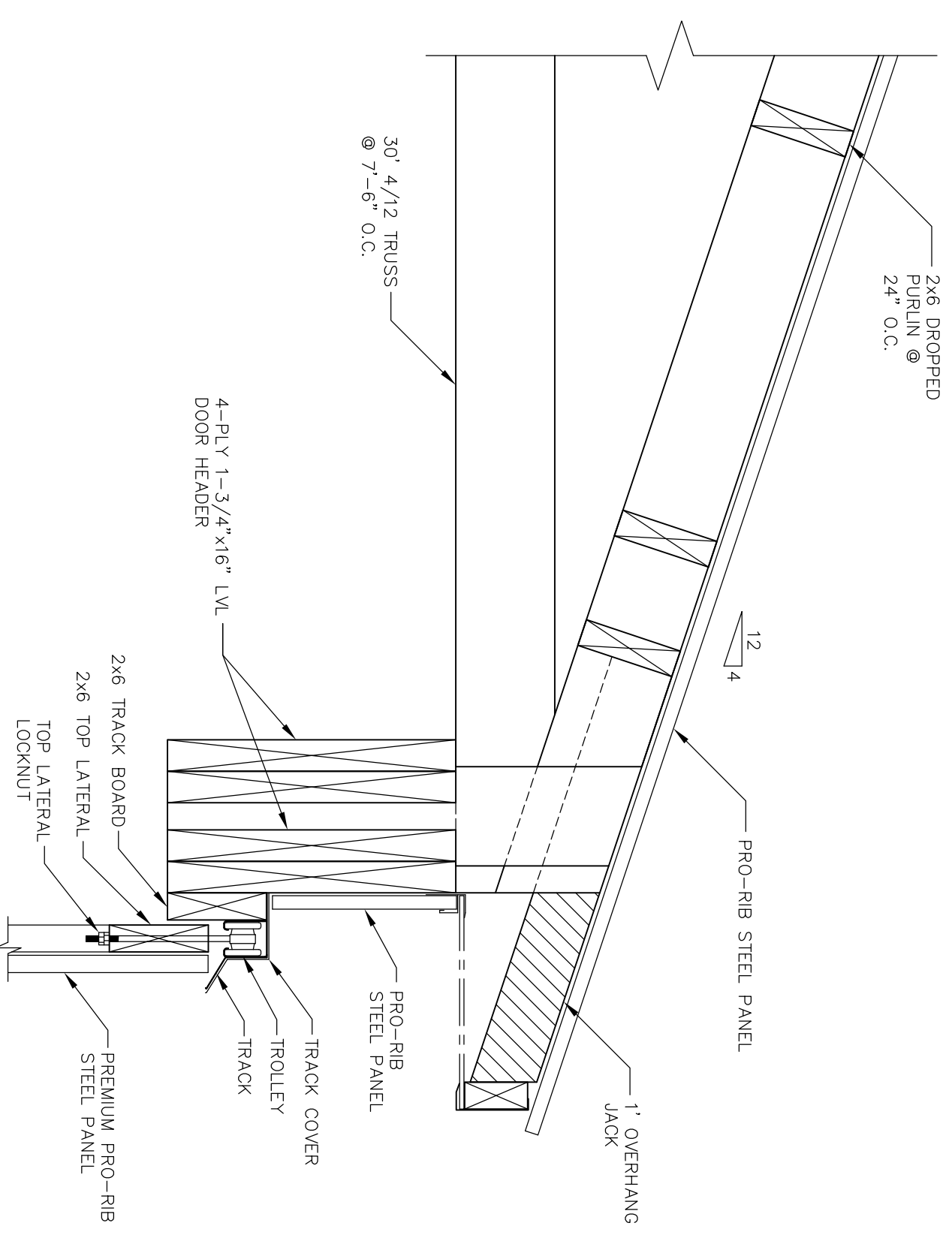
DOOR JAMB DETAIL OVERHEAD DOOR
SCALE: 3/4"=1'-0"



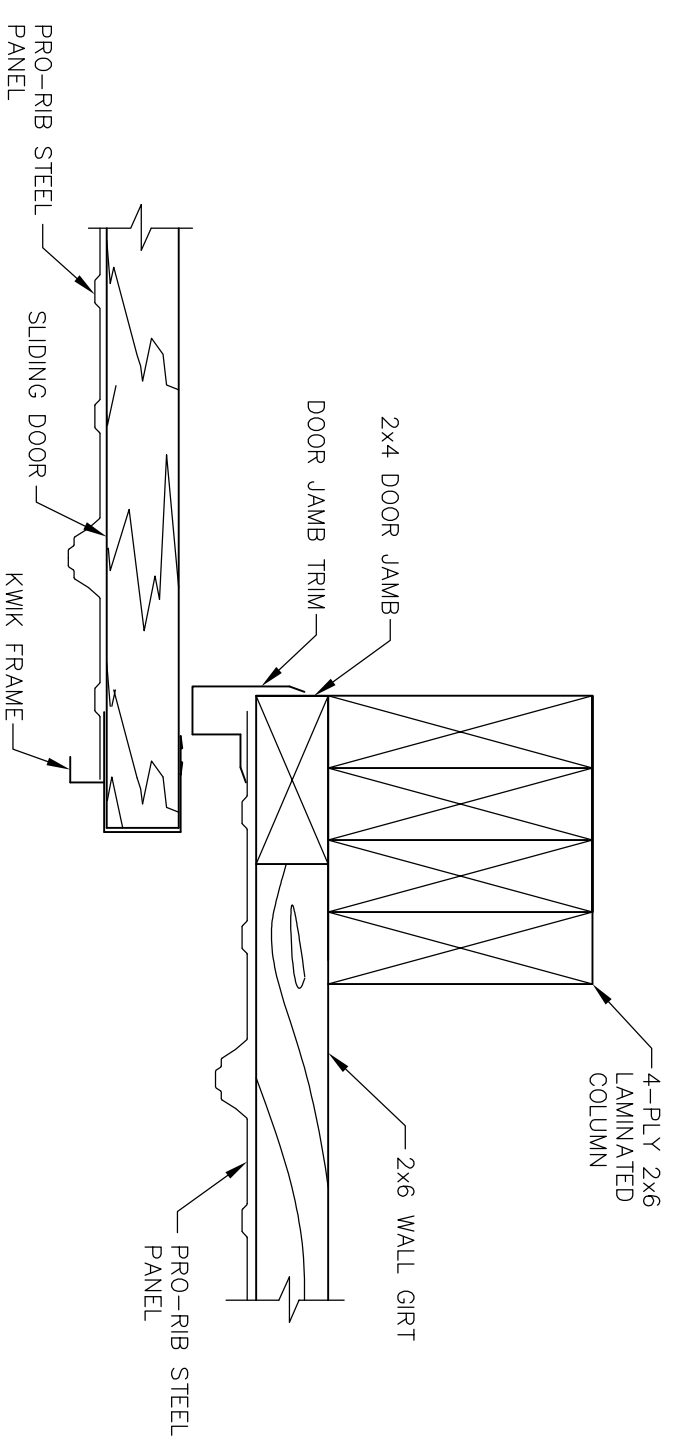
SLIDING DOOR HEADER
NOT TO SCALE



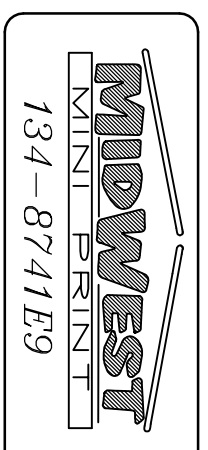
OVERHEAD DOOR HEADER
NOT TO SCALE



SLIDING DOOR TRACK DETAIL
SCALE: 1/2"=1'-0"



SLIDING DOOR JAMB DETAIL @ SIDEWALL
SCALE: 3/4"=1'-0"



DIMENSIONS
WRITTEN DIMENSIONS SHALL TAKE PRECEDENCE OVER SCALED DIMENSIONS. DO NOT SCALE DRAWINGS.
ERRORS AND OMISSIONS
THESE PLANS HAVE BEEN PROFESSIONALLY PREPARED TO COMPLY WITH THE REQUIREMENTS OF THE IBC AND THE IBC. THE DESIGNER ASSUMES NO LIABILITY FOR ANY ERRORS OR OMISSIONS IN THESE PLANS. THE USER OF THESE PLANS SHALL BE RESPONSIBLE FOR VERIFYING ALL DIMENSIONS AND CONDITIONS OF THE PROJECT. THE USER SHALL BE RESPONSIBLE FOR OBTAINING ALL NECESSARY PERMITS AND APPROVALS FROM THE LOCAL JURISDICTION. THE USER SHALL BE RESPONSIBLE FOR OBTAINING ALL NECESSARY PERMITS AND APPROVALS FROM THE LOCAL JURISDICTION. THE USER SHALL BE RESPONSIBLE FOR OBTAINING ALL NECESSARY PERMITS AND APPROVALS FROM THE LOCAL JURISDICTION.

ADAPTATION & UTILIZATION OF THIS PLAN
THESE PLANS HAVE BEEN PROFESSIONALLY PREPARED TO COMPLY WITH THE REQUIREMENTS OF THE IBC AND THE IBC. THE DESIGNER ASSUMES NO LIABILITY FOR ANY ERRORS OR OMISSIONS IN THESE PLANS. THE USER OF THESE PLANS SHALL BE RESPONSIBLE FOR VERIFYING ALL DIMENSIONS AND CONDITIONS OF THE PROJECT. THE USER SHALL BE RESPONSIBLE FOR OBTAINING ALL NECESSARY PERMITS AND APPROVALS FROM THE LOCAL JURISDICTION. THE USER SHALL BE RESPONSIBLE FOR OBTAINING ALL NECESSARY PERMITS AND APPROVALS FROM THE LOCAL JURISDICTION. THE USER SHALL BE RESPONSIBLE FOR OBTAINING ALL NECESSARY PERMITS AND APPROVALS FROM THE LOCAL JURISDICTION.