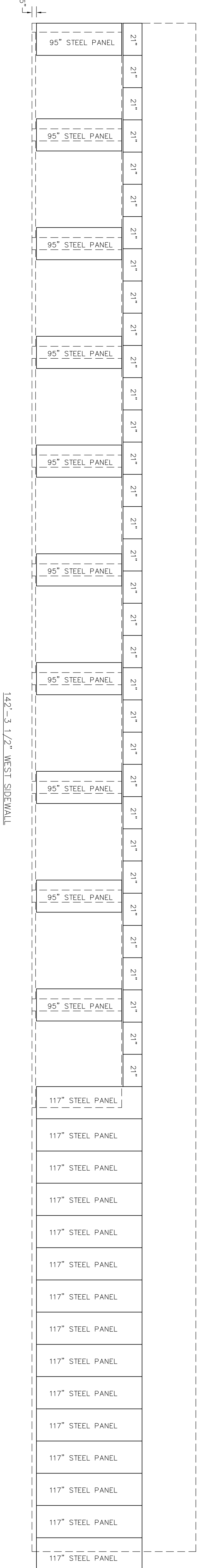
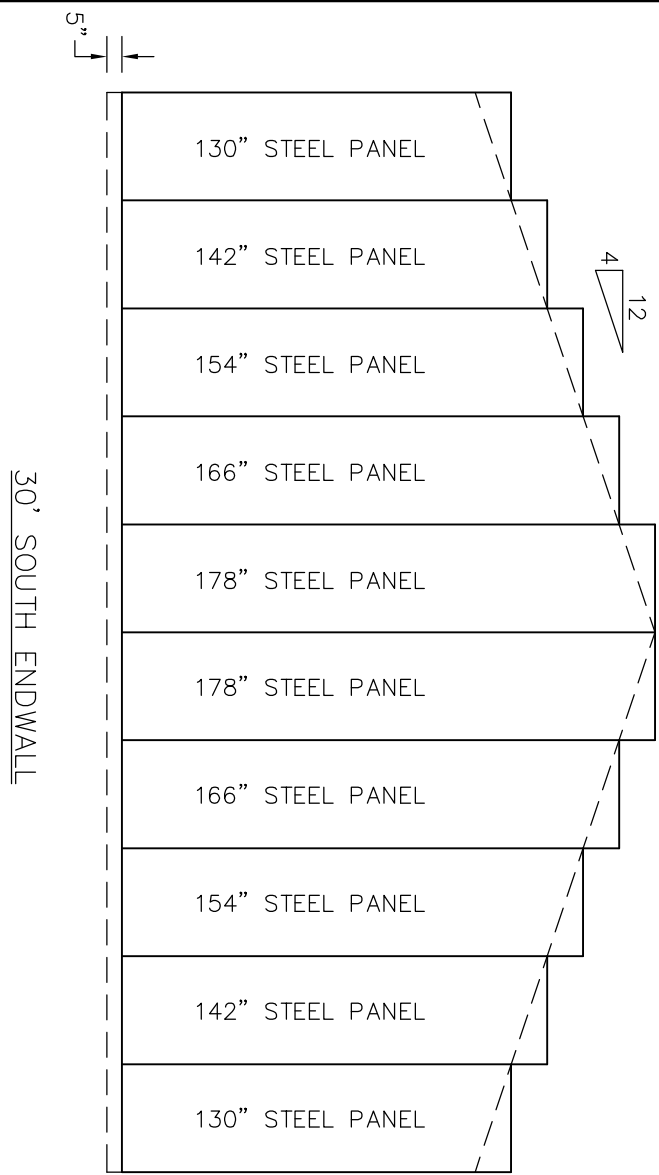
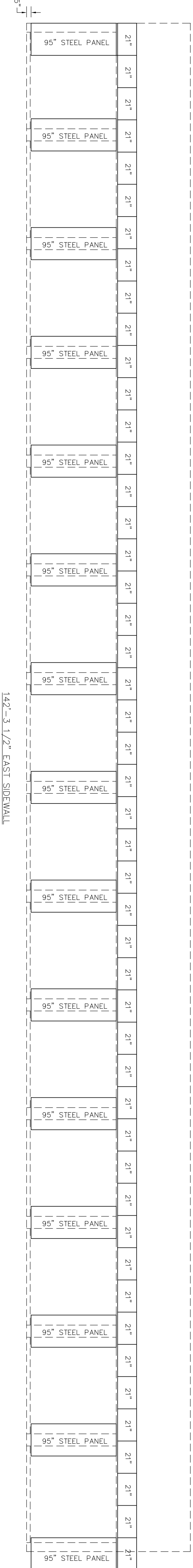
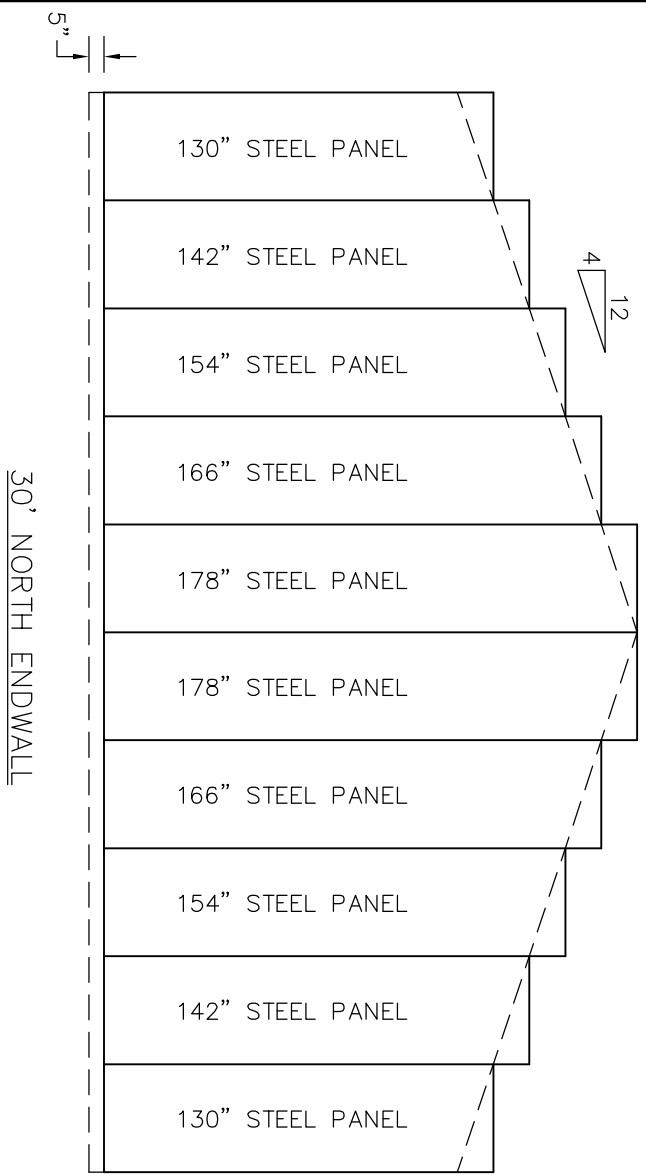


ELEVATIONS

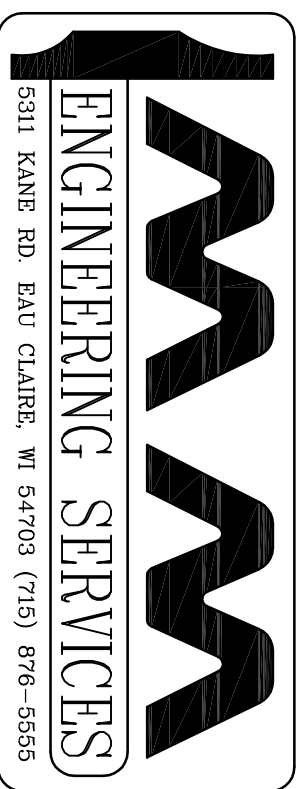
SCALE: 3/16"=1'-0"

NOTE: OWNER SHALL PROVIDE AT LEAST ONE ACCESSIBLE ENTRY DOOR FOR EACH BUILDING (3% OF TOTAL) TO MEET ADAAG 4.13 ACCESSIBILITY REQUIREMENTS



STEEL LAYOUTS

SCALE: 3/16"=1'-0"



PROJECT TITLE:
YOUR BUILDING
ANYWHERE, USA

SHEET TITLE:
ELEVATIONS & STEEL LAYOUTS

REVISIONS		PROFESSIONAL ENGINEER	FILE NAME:	SHEET NO.
NO.	DATE	XXXXXXXXXXXX		2 OF 6
1		PLAN DESIGNER:	DATE:	
2		XXXXXXXXXXXX		
3		DRAWN BY:	SCALE:	
4		XXXXXXXXXXXX	AS NOTED	